



AMGP

Try-Rod Cylinder

AMGP Series

Try-rod Cylinder

AKME
SOLUÇÕES EM AUTOMACÃO



Ordering Code

AMGPM

32

50

Specification

Bore

Stroke

M: Slidable bearing

12 16

L: Ball bearing

20 25

32 40

50 63

80 100

Features

1. Light weight and compact.
2. Strong transverse load capacity.
3. Strong torque capacity.
4. High Non-rotating precision.
5. Either ball joint or slide joint are available for directional bearing for directional rod.
6. Easy for installation.
7. Position of both side ports are changeable.

Stroke

Bore (mm)	Standard Stroke (mm)	** Sensor Switch Optional Model (For slide installation)
12, 16	10, 20, 30, 40, 50, 75, 100	DL-30 DL-07
20, 25	20, 30, 40, 50, 75, 100, 125, 175, 200	
32, 40, 50, 63, 80, 100	20, 50, 75, 100, 125, 150, 175, 200	

* Strokes (from 5, 10, 20, 30, 35.....) are added with 5, 10, 15, 20 mm thick gasket respectively,
ex: AMGPM50-10 is with 15 mm thickness gasket (AMGPM50-25).

Specification

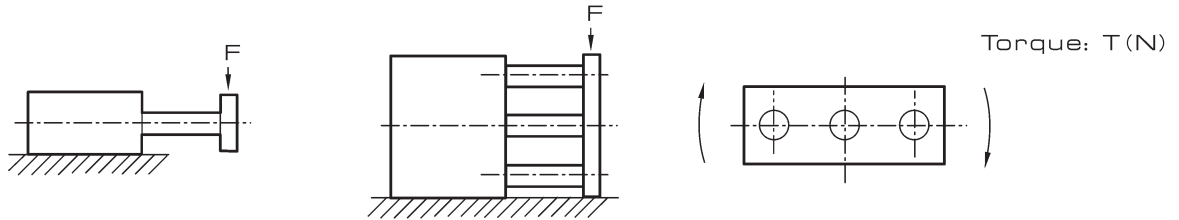
Bore (mm)	12	16	20	25	32	40	50	63	80	100
Operation Fluid	Air									
Operation	Double Acting									
Max. Operation Pressure	10 Bar									
Min. Operation Pressure	1,5 Bar									
Ambient and fluid temperature	5 ~ +60 °C									
Piston Speed	50~500 mm/s								50~400 mm/s	
Buffer	Rubber Buffer									
Stroke Tolerance	+1.5 mm 0									
Lubrication	Non-lub									
Bearing	Slidable bearing/Ball Bearing									
Non-rotating rod	Slidable bearing	± 0.08°	± 0.07°	± 0.06°	± 0.05°	± 0.04°				
Precision	Ball Bearing	± 0.10°	± 0.09°	± 0.08°	± 0.06°	± 0.05°				
Port Size Rc (PT)	M5 x 0.8			1/8"		1/4"		3/8"		

* If lubricant is demanded, please choose clear No.1 lubricant, ISOV

AMGP Series

Try-rod Cylinder

Load And Torque



Bore (mm)	Series	Max. Transverse Load F (N)											
		Stroke (mm)											
		10	20	25	30	40	50	75	100	125	150	175	200
12	AMGPM	24	19	-	17	14	13	26	22	-	-	-	-
	AMGPL	37	27	-	22	35	30	23	18	-	-	-	-
16	AMGPM	38	31	-	27	23	21	37	32	-	-	-	-
	AMGPL	54	40	-	32	54	47	35	28	-	-	-	-
20	AMGPM	-	49	-	43	38	35	87	75	66	59	54	49
	AMGPL	-	58	-	48	101	90	70	58	62	54	48	43
25	AMGPM	-	69	-	60	54	49	116	100	88	79	71	65
	AMGPL	-	82	-	68	132	118	93	77	80	70	62	55
32	AMGPM	-	-	203	-	-	164	182	159	142	127	116	106
	AMGPL	-	-	113	-	-	78	130	107	130	114	101	90
40	AMGPM	-	-	203	-	-	164	182	159	142	127	116	106
	AMGPL	-	-	113	-	-	78	129	106	130	114	101	90
50	AMGPM	-	-	296	-	-	245	273	241	216	195	179	164
	AMGPL	-	-	120	-	-	83	178	148	148	129	114	102
63	AMGPM	-	-	296	-	-	245	273	241	216	195	179	164
	AMGPL	-	-	117	-	-	81	176	145	145	126	111	99
80	AMGPM	-	-	352	-	-	297	368	329	298	272	251	232
	AMGPL	-	-	125	-	-	99	281	240	208	184	163	147
100	AMGPM	-	-	515	-	-	445	498	450	410	377	349	325
	AMGPL	-	-	138	-	-	108	395	340	297	263	235	211

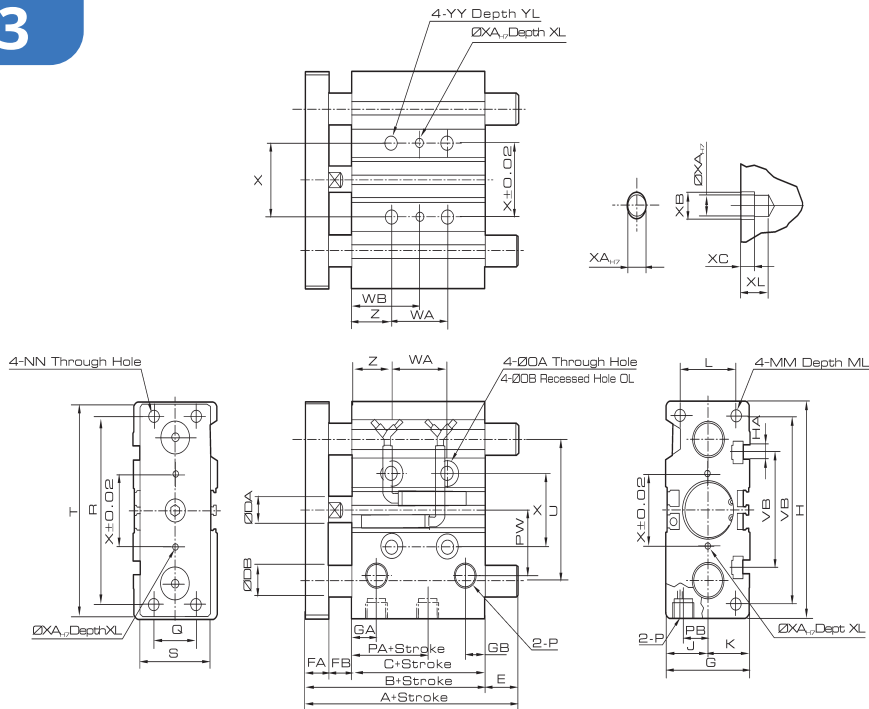
Max. Torque T (N*m)												
Stroke (mm)												
10	20	25	30	40	50	75	100	125	150	175	200	
0.39	0.32	-	0.27	0.24	0.21	0.43	0.36	-	-	-	-	-
0.78	0.66	-	0.57	0.93	0.85	0.69	0.58	-	-	-	-	-
0.69	0.58	-	0.49	0.43	0.38	0.69	0.58	-	-	-	-	-
1.23	1.06	-	0.92	1.53	1.40	1.16	0.99	-	-	-	-	-
-	1.05	-	0.93	0.83	0.75	1.88	1.63	1.44	1.28	1.16	1.06	-
-	1.70	-	1.52	3.06	2.87	2.47	2.17	2.38	2.16	1.98	1.82	-
-	1.76	-	1.55	1.38	1.25	2.96	2.57	2.26	2.02	1.83	1.67	-
-	2.80	-	2.53	4.67	4.39	3.81	3.36	3.65	3.31	3.02	2.78	-
-	-	6.35	-	-	5.13	5.69	4.97	4.42	3.98	3.61	3.31	-
-	-	4.76	-	-	3.86	6.53	5.75	7.10	6.46	5.92	5.47	-
-	-	7.00	-	-	5.66	6.27	5.48	4.87	4.38	3.98	3.65	-
-	-	5.24	-	-	4.25	7.19	6.33	7.81	7.11	6.52	6.02	-
-	-	13.0	-	-	10.8	12.0	10.6	9.50	8.60	7.86	7.24	-
-	-	7.02	-	-	5.76	12.3	10.9	11.2	10.2	9.40	8.69	-
-	-	14.7	-	-	12.1	13.5	12.0	10.7	9.69	8.86	8.16	-
-	-	77.7	-	-	6.35	13.7	12.2	12.5	11.4	10.5	9.65	-
-	-	22.0	-	-	18.6	22.9	20.5	18.6	17.0	15.6	14.5	-
-	-	10.3	-	-	9.35	24.8	22.7	20.9	19.4	18.0	16.9	-
-	-	38.8	-	-	33.5	37.5	33.8	30.9	28.4	26.2	24.4	-
-	-	13.6	-	-	12.2	41.1	37.9	35.1	32.7	30.5	28.6	-

AMGP Series

Try-rod Cylinder

Overall Dimension

Ø32 ~ Ø63



Dimension

AMGPM, AMGPL (Ø32 ~ Ø63)

Bore (mm)	Standard Stroke	B	C	DA	FA	FB	G	GA	GB	GC	H	HA	J	K	L	MM	ML	NN	OA	OB	OL	P	PA	PB	PW	Q
32	25,50,75,	59.5	37.5	16	12	10	48	12.5	112	9	112	M6	24	24	34	M8x1.25	20	M8x1.25	6.6	11	7.5	Rc1/8	7	15	34	30
40	100,125,	66	44	16	12	10	54	14	120	10	120	M6	27	27	40	M8x1.25	20	M8x1.25	6.6	11	7.5	Rc1/8	13	18	38	30
50	150,175,	72	44	20	16	12	64	12	148	11	148	M8	32	32	46	M10x1.5	22	M10x1.5	8.6	14	9	Rc1/4	9	21.5	47	40
63	200	77	49	20	16	12	78	16.5	162	13.5	162	M10	39	39	58	M10x1.5	22	M10x1.5	8.6	14	9	Rc1/4	14	28	55	50

Bore (mm)	Standard Stroke	R	S	T	U	VA	VB	WA			WB			X	XA	XB	XC	XL	YY	YL	Z
								25st	50,75,100st	Above 100st	25st	50,75,100st	Above 100st								
32	25,50,75,	96	44	110	78	98	63	24	48	124	33	45	83	42	4	4.5	3	6	M8x1.25	16	21
40	100,125,	104	44	118	86	106	72	24	48	124	34	46	84	50	4	4.5	3	6	M8x1.25	16	22
50	150,175,	130	60	146	110	130	92	24	48	124	36	48	86	66	5	6	4	8	M10x1.5	20	24
63	200	130	70	158	124	142	110	28	52	128	38	50	88	80	5	6	4	8	M10x1.5	20	24

AMGPM (Slidable Bearing)

Bore (mm)	A		DB	E	
	25,50st	Above 50st		Below 25,50st	Above 50st
32	97	102	20	37.5	42.5
40	97	102	20	31	36
50	106.5	118	25	34.5	46
63	106.5	118	25	29.5	41

AMGPL (Ball Bearing)

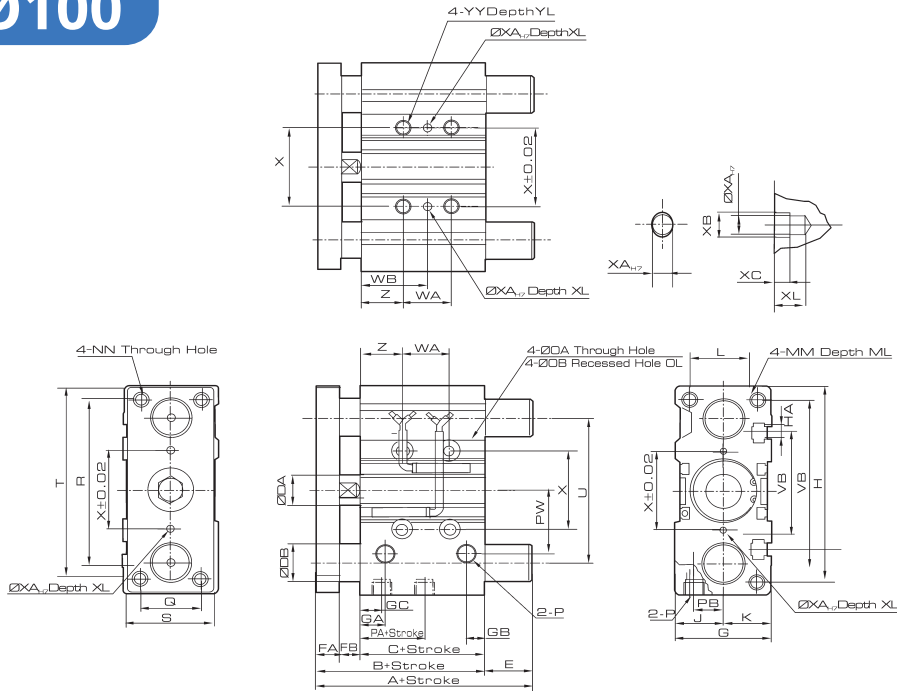
Bore (mm)	A			DB	E		
	50st	75,100st	Above 100st		50st	75,100st	Above 100st
32	81	98	118	16	21.5	38.5	58.5
40	81	98	118	16	15	32	52
50	93	114	134	20	21	42	62
63	93	114	134	20	16	37	57

AMGP Series

Try-rod Cylinder

Overall Dimension

Ø80 ~ Ø100



Dimension

AMGPM, AMGPL Dimension (Ø80 ~ Ø100)

Bore (mm)	Standard Stroke	B	C	DA	FA	FB	G	GA	GB	GC	H	HA	J	JA	JB	K	L	MM	ML	NN	OA	OB	OL	P	PA	PB	PW	Q
80	25,50,75,	96.5	56.5	25	22	18	91.5	19	15.5	14.5	202	M12	45.5	38	7.5	46	54	M12x1.75	30	M12x1.75	10.6	17.5	8	Rc3/8	14.5	25.5	74	52
100	100,125,150,175,200	116	66	30	25	25	111.5	23	19	18	240	M14	55.5	45	10.5	56	62	M14x2.0	32	M14x2.0	12.5	20	8	Rc3/8	17.5	32.5	89	64

Bore (mm)	Standard Stroke	R	S	T	U	VA	VB	WA			WB			X	XA	XB	XC	XL	YY	YL	Z
								25st	50,75,100st	Above 100st	25st	50,75,100st	Above 100st								
80	25,50,75,	174	75	198	156	180	140	28	52	128	42	54	92	100	6	7	5	10	M12x1.75	24	28
100	100,125,150,175,200	210	90	236	188	210	166	48	72	148	35	47	85	124	6	7	5	10	M14x2.0	28	11

AMGPM (Slidable Bearing)

Bore (mm)	A		DB	E	
	25,50st	Above 50st		Below 25,50st	Above 50st
80	115	142	30	18.5	45.5
100	137	162	36	21	46

AMGPL (Ball Bearing)

Bore (mm)	A			DB	E		
	25,50st	75,100st	Above 100st		25,50st	75,100st	Above 100st
80	109.5	130	160	25	13	33.5	63.5
100	121	147	180	30	5	31	64