



AFC, BFC

Basic Conservation Unit

AFC, BFC Series

Basic Conservation Unit

AKME
SOLUÇÕES EM AUTOMAÇÃO



Ordering Code

BFC

4000

U

Model

Port size

Bowl

AFC: Small



2000: G1/4"

3000: G3/8"

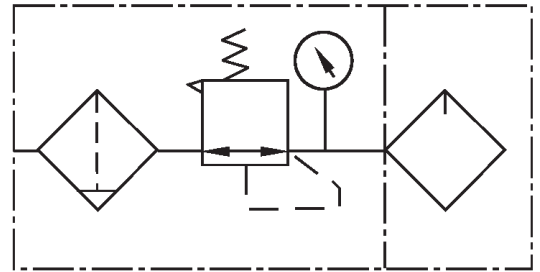
U: Metal protection
Not applied to BFC4000

BFC: Medium



4000: G1/2"

Symbol



Specification

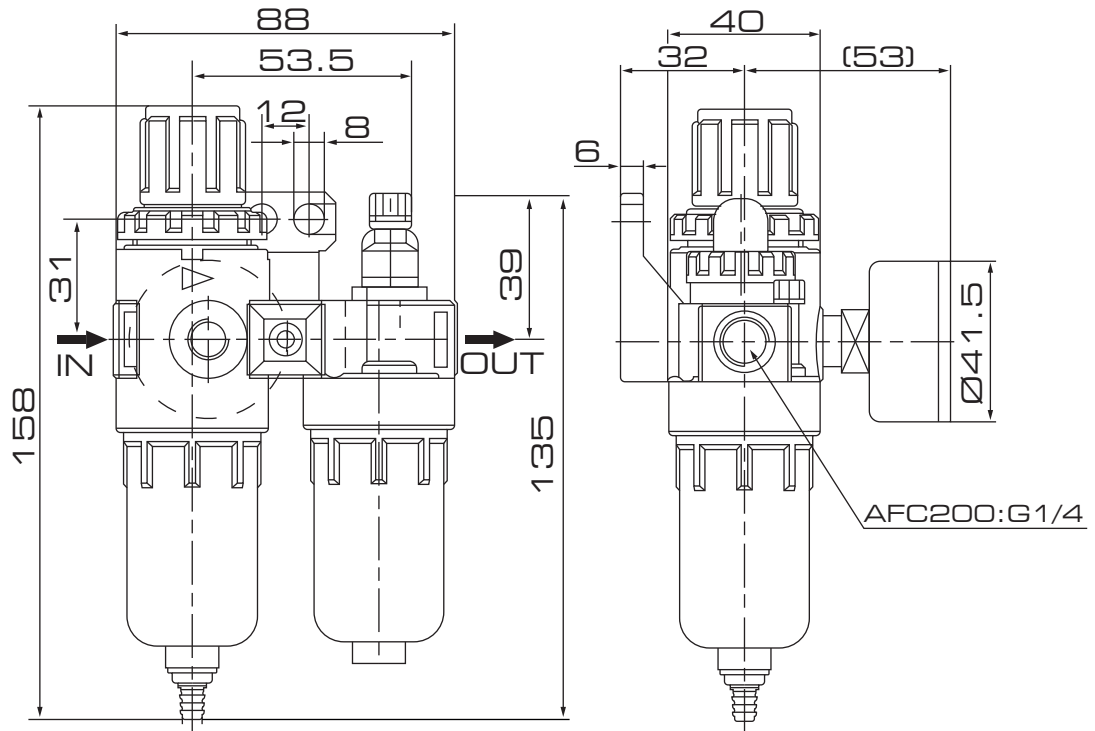
Model	AFC2000	BFC3000	BFC4000
Rated Flow (l/min)	650	1150	1300
Operating Fluid	Air		
Port Size	G1/4"	G3/8"	G1/2"
Filter Precision	40 μ		
Range of Adjustable Pressure	0 ~ 8 Bar		
Max. Inlet Pressure	10 Bar		
Operating Temperature Range	5 ~ 60 °C		
Recommended Lubricant	ISO VG 32 or Same Grade Oil		
Material	Body	Aluminum Alloy Die-casting Forming	
	Container Cup	PC	
	Protective Cover	-	Iron

AFC, BFC Series

Basic Conservation Unit

Overall Dimension

AFC Series



BFC Series

