



AR, BR

Regulator

AR, BR Series

Regulator

AKME
SOLUÇÕES EM AUTOMAÇÃO



Ordering Code

BR

4000

Model

Port size

AR: Small



2000: G1/4"

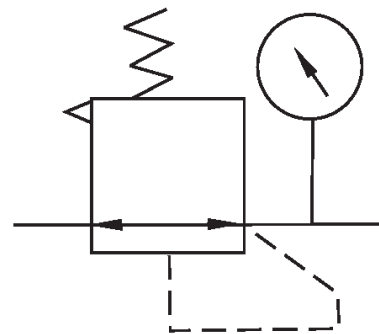
3000: G3/8"

BR: Medium



4000: G1/2"

Symbol



Specification

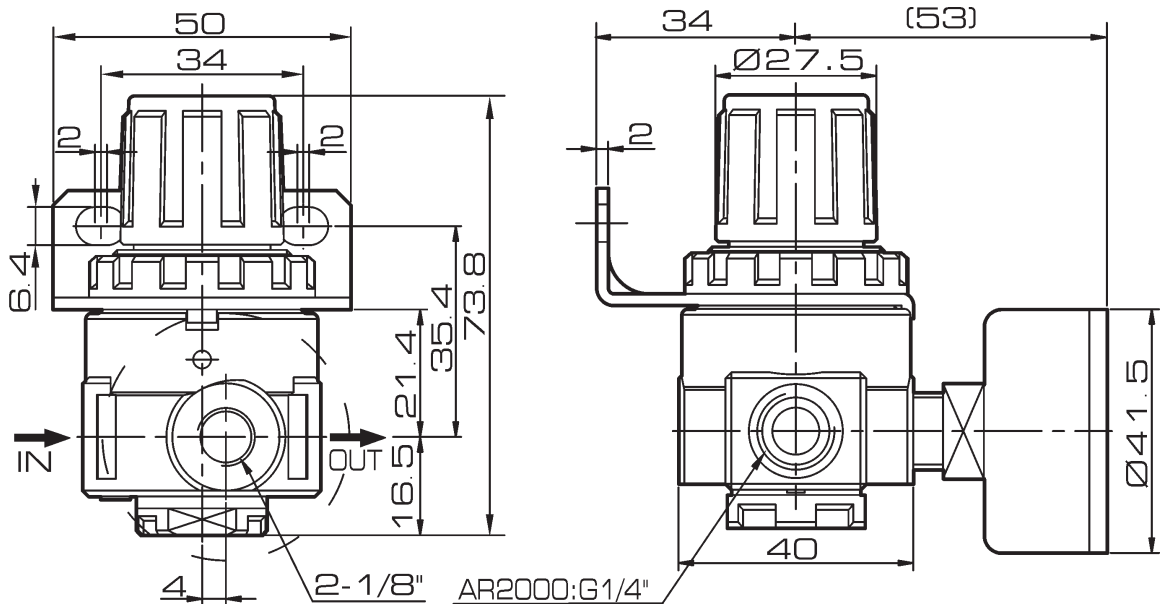
Model	AR2000	BR3000	BR4000
Operating Fluid	Air		
Rated Flow (l/min)	600	1150	1350
Port Size	G1/4"	G3/8"	G1/2"
Range of Adjustable Pressure	0.5 ~ 8,5 Bar		
Max. Adjustable Pressure	9,5 Bar		
Proof Pressure Resistance	15 Bar		
Operating Temperature Range	5 ~ 60 °C		
Weight	0.20 KG	0.23 KG	
Body Material	Aluminum alloy, Die-casting Forming		

AR, BR Series

Regulator

Overall Dimension

AR Series



BR Series

