



AFR, BFR

Filter & Regulator

AFR, BFR Series

Filter & Regulator

AKME
SOLUÇÕES EM AUTOMAÇÃO



Ordering Code

AFR

2000

U

Model

Port size

Bowl

AFR: Small



2000: G1/4"

Blank: Polycarbonate

3000: G3/8"

U - Metal protection

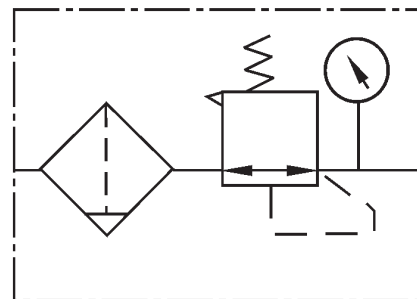
BFR: Medium



4000: G1/2"

*Not applied to BFR4000

Symbol



Specification

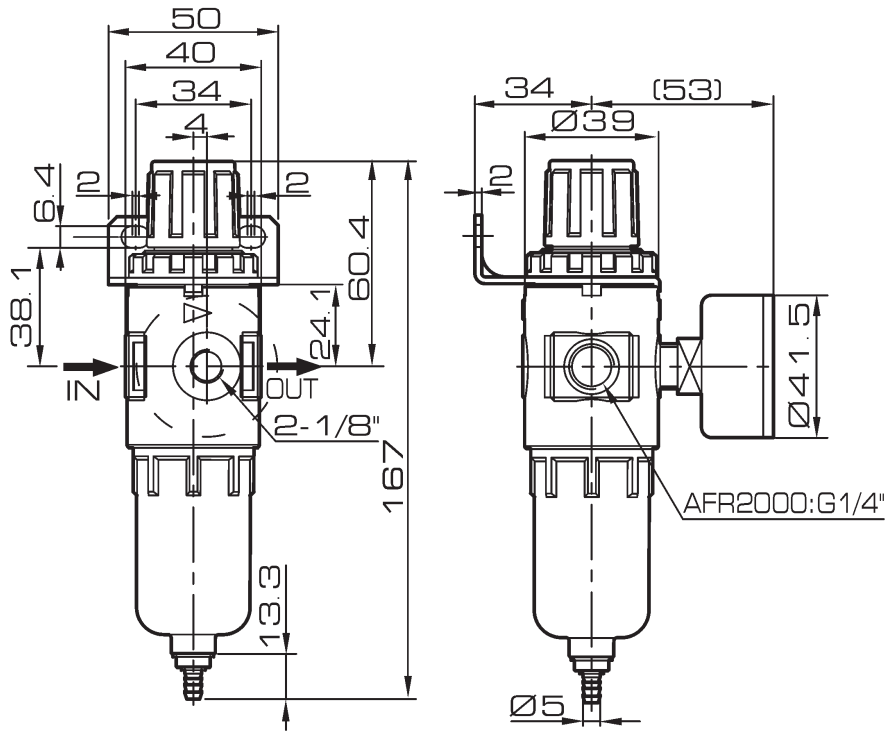
Model	AFR2000	BFR3000	BFR4000
Rated Flow (l/min)	700	1150	1350
Operating Fluid	Air		
Port Size	G1/4"	G3/8"	G1/2"
Range of Adjustable Pressure	0 ~ 8 Bar		
Max. Inlet Pressure	10 Bar		
Operating Temperature Range	5 ~ 60 °C		
Capacity of Filter Cup	15 cc	60 cc	
Weight	0.26 KG	0.4 KG	
Material	Body	Aluminum Alloy , Die-casting Forming	
	Container Cup	PC	
	Protective Cover	-	Iron

AFR, BFR Series

Filter & Regulator

Overall Dimension

AFR Series



BFR Series

