



AF, BF

Filter



AF, BF Series

Filter

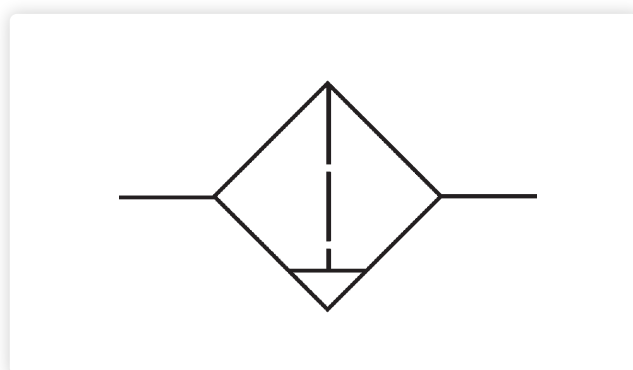
AKME
SOLUÇÕES EM AUTOMAÇÃO



Ordering Code

BF	4000	D
Model	Port size	Bowl
AF: Small 	2000: G1/4" 4000: G1/2"	Blank: Semi-automatic D - Automatic <small>*Not applied to AF</small>
BF: Medium 		

Symbol



Specification

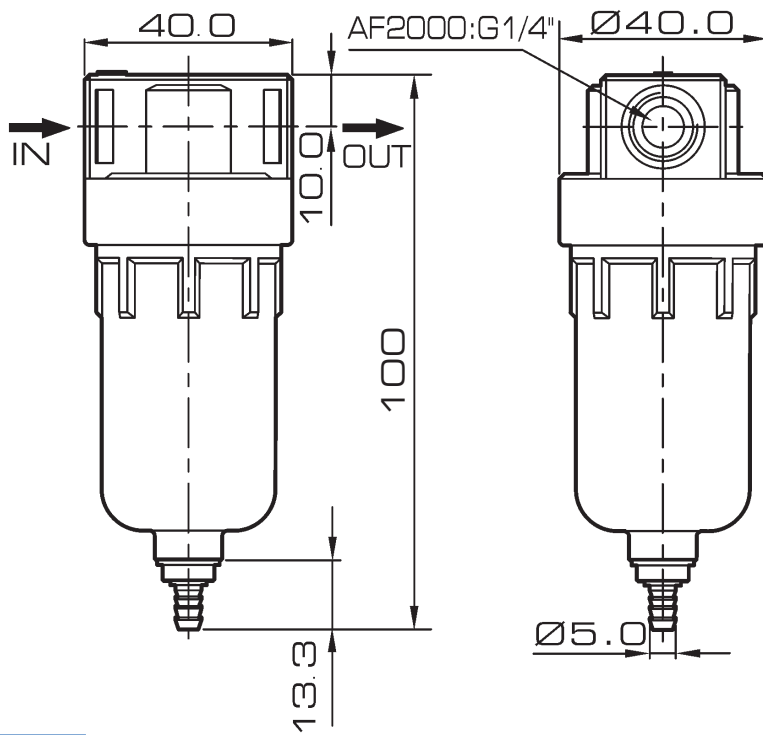
Model	AF2000	BF4000
Rated Flow (l/min)	500	4000
Operating Fluid	Air	
Port Size	G1/4"	G1/2"
Filter Precision	40 μ	
Proof Pressure Resistance	15 Bar	
Operating Temperature Range	5 ~ 60 °C	
Capacity of Filter Cup	15 cc	60 cc
Weight	0.14 KG	0.33 KG
Material	Body	Aluminum Alloy , Die-casting Forming
	Container Cup	PC
	Protective Cover	Iron

AF, BF Series

Filter

Overall Dimension

AF Series



BF Series

