



DAL

1000 ~ 5000 Lubricator

DAL Series

1000 ~ 5000 Lubricator

AKME
SOLUÇÕES EM AUTOMAÇÃO



Ordering Code

DA

L

4000

04

Series

Function

Specification

Port Size

DAL2000-02



Lubricator

1000

M5: M5 x 0.8

2000

02: G1/4"

3000

03: G3/8"

4000

04: G1/2"

5000

06: G3/4"

10: G1"

DAL4000-06



Specification

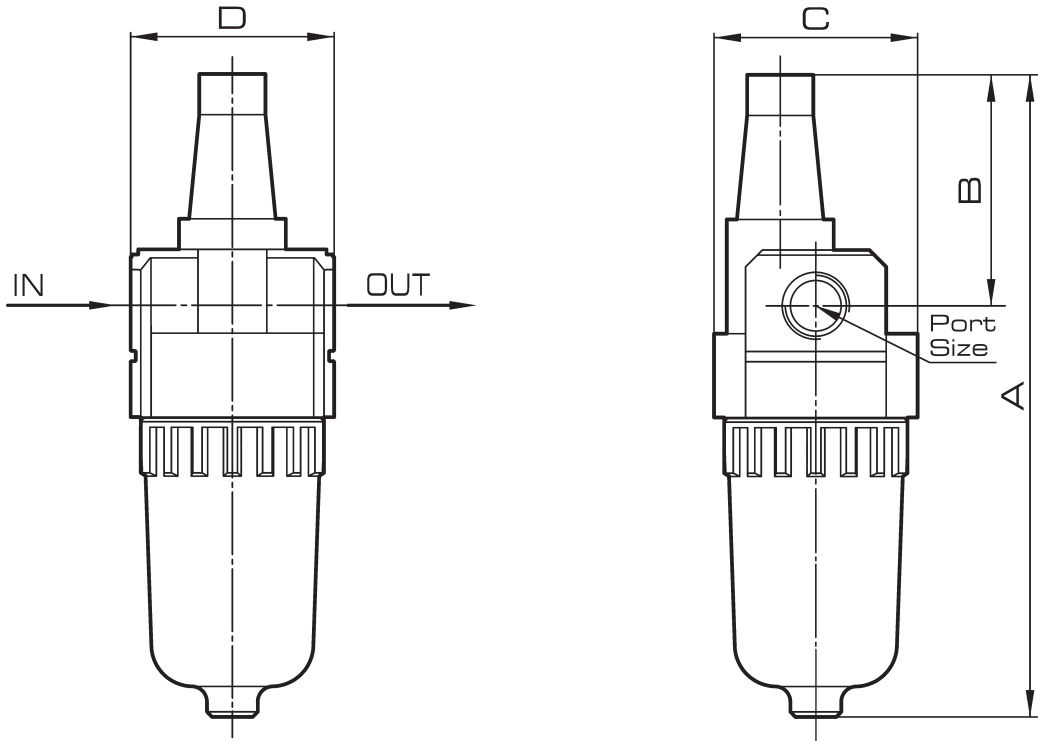
Model	DAL1000-M5	DAL2000-02	DAL3000-03	DAL4000-04	DAL4000-06	DAL5000-10
Rated Flow (l/min)	95	800	1700	5000	6300	7000
Port Size	M5	1/4	3/8	1/2	3/4	1
Max. Inlet Pressure	10 Bar					
Operating Temperature Range	5 ~ 60 °C					
Recommended Lubricant	0 ~ 7 Bar	ISO VG 32				
Container Material	Poly Carbonate					
Container Cup	Unavailable			Iron		

DAL Series

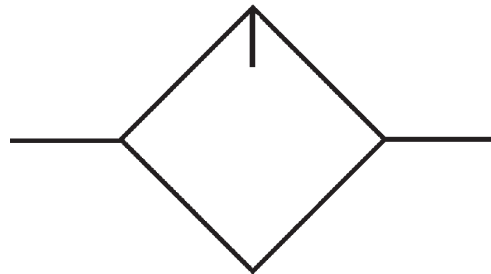
1000 ~ 5000 Lubricator

Overall Dimension

DAL1000~DAL5000



Symbol



Dimension

Model	Bore	A	B	C	D
DAL1000-M5	M5	81.5	25.5	25	-
DAL2000-02	1/4	126.5	45.5	40	40
DAL3000-03	3/8	142	38	53	53
DAL4000-04	1/2	177	41	70	70
DAL4000-06	3/4	177	39	70	70
DAL5000-10	1	254	45	90	90