



DAF

1000 ~ 5000 Air Filter

DAF Series

1000 ~ 5000 Air Filter

AKME
SOLUÇÕES EM AUTOMAÇÃO



Ordering Code

DA	F	4000	04	D	-
Series	Function	Specification	Port Size	Drain Type	Filter Element
DA (1/4") Without cover	Filter	1000	M5: M5 x 0.8	Blank: Semi-automatic	Blank: Standard 5 µm
		2000	02: G1/4"		C10: 0,3 µm
DA (3/8 to 1") With metal cover		3000	03: G3/8"	D: Lever Auto Drain	C06: 0,01 µm
		4000	04: G1/2"		CA: 0,01 µm
		5000	06: G3/4"		
			10: G1"		

Specification

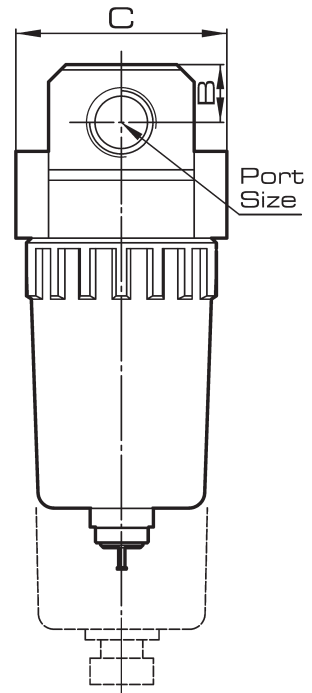
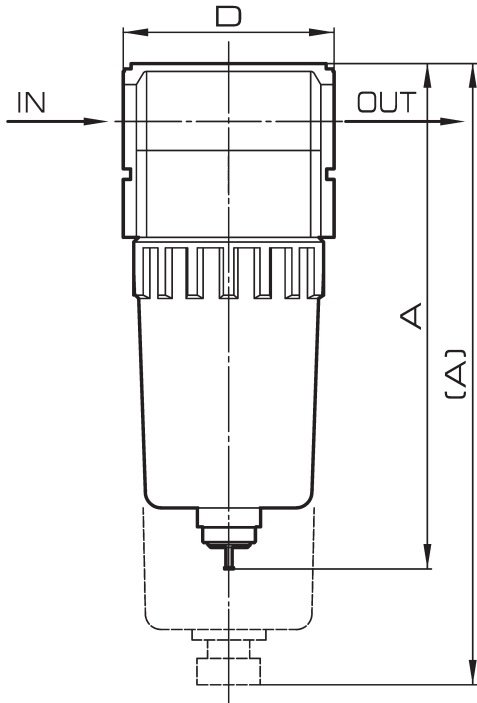
Model	DAF1000-M5	DAF2000-02	DAF3000-03	DAF4000-04	DAF4000-06	DAF5000-10
Rated Flow (l/min)	110	750	1500	4000	6000	7000
Port Size	M5	1/4	3/8	1/2	3/4	1
Filter Precision	25 µm					
Max. Inlet Pressure	10 Bar					
Ambient Temperature Range	5 ~ 60 °C					
Container Material	Poly Carbonate					
Container Cup	Unavailable			Iron		
Drain Function	Differential Drain	Semi-automatic Drain, Automatic Drain				

DAF Series

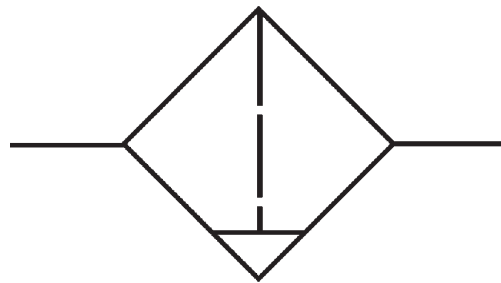
1000 ~ 5000 Air Filter

Overall Dimension

DAF1000~DAF5000



Symbol



Dimension

Model	Bore	A	B	C	D
DAF1000-M5	M5	66	7	25	-
DAF2000-02	1/4	96 (118)	11	40	40
DAF3000-03	3/8	132.5	14	53	53
DAF4000-04	1/2	168.5	18	70	70
DAF4000-06	3/4	172.5	20	70	70
DAF5000-10	1	247.5	24	90	90