



VX31, VX33

Direct Acting Solenoid Valve

VX31/VX33 Series

Direct Acting solenoid Valve



Feature

- The multi-purpose 3/2 way direct acting solenoid valves are mainly suitable in the neutral gaseous and liquid fluid pipeline automatic control. It is suitable for the medium of gas, water, oil, vacuum, steam.

Can be operated with zero pressure difference & circulation direction is random.

Ordering Code

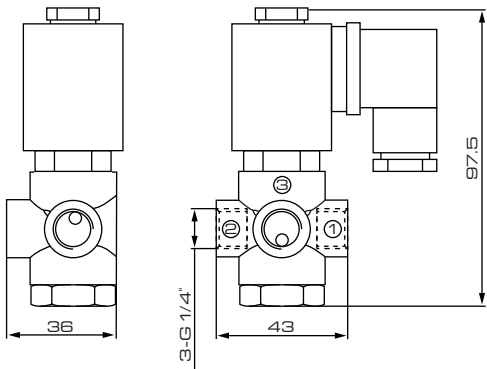
VX31/VX33	15	08	AC220V
Specification	Orifice Size	Port Size	Standard Voltage
VX31: Normal Close	15: 1.5mm	08: ZG1/4"	DC24V
VX33: Universal-type	20: 2.0mm		AC110V
			AC220V

Specification

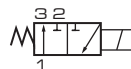
Model	Orifice Size	Cv Value	Port Size	Pressure Difference (kgs/cm ²)	Medium Temperature	Body Material
VX31	2.0	0.14	ZG1/4"	9	-5~55°C	Brass
VX33	2.5	0.07		5		
Coil	PU COIL DC24V/ PU COIL AC110V/ PU COIL AC220V					

VX31/VX33

Working Theory Chart



VX31
Normally
closed

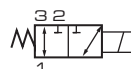


Power off
Pressure supply
port: 2



Power on

VX33
Universal
type



Power off
Pressure supply port:
Any port



Power on