



**QSL, QIU, QTY**  
*Air treatment, high flow*

---

# QSL Series

Air Filter

**AKME**  
SOLUÇÕES EM AUTOMAÇÃO



## Ordering Code

QSL

40

Specification

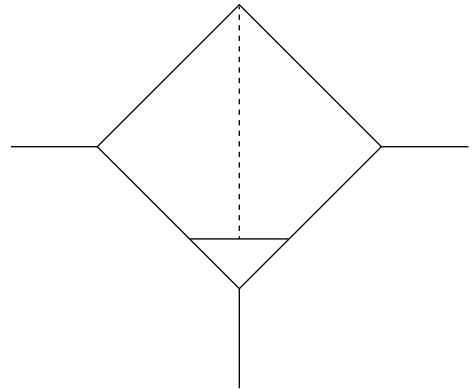
QSL: Air Filter

Port Size

40 G1 1/2

50: G2

## Symbol



## Specification

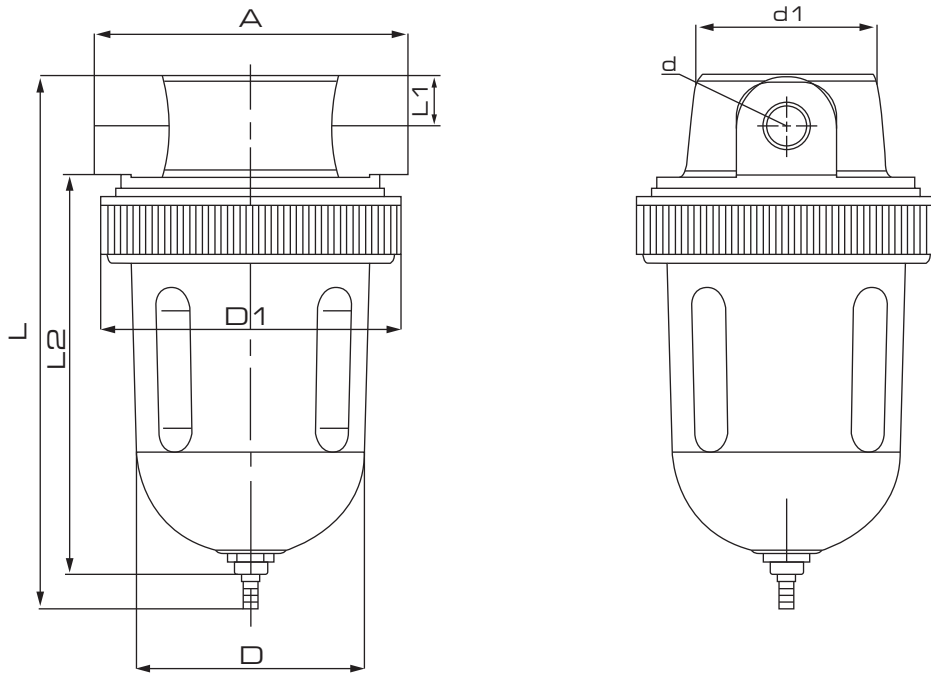
Model	QSL-40	QSL-50
Port Size	G1 1/2"	G2"
Working Media	Clean Air	
Max. Proof Pressure	15 Bar	
Max Working Pressure	8 Bar	
Working Temperature Range	5~60°C	
Filter Precision	40µm, 5µm, 40µm (Normal) or 5µm (Customized)	
Rated Flow	10.000 l/min	14.000 l/min
Material	Body Material	Aluminum Alloy
	Bowl Material	PC
	Shield Material	Steel

# QSL Series

Air Filter

## Overall Dimension

### QSL Series



## Dimensions

Model	Port Size	A	D	D1	d	L1	L2	L	d1
QSL-40	G1 1/2	133	Ø114	Ø131	R31.5	32.5	205	278.5	Ø90
QSL-50	G2	133	Ø114	Ø131	R36.2	36.7	205	278.5	Ø90

# QIU Series

Lubricator



## Ordering Code

QIU

40

Specification

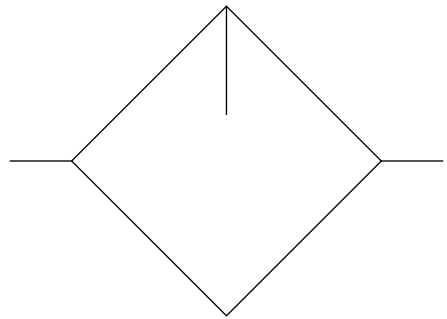
Port Size

QIU: Lubricator

40 G1 1/2

50: G2

## Symbol



## Specification

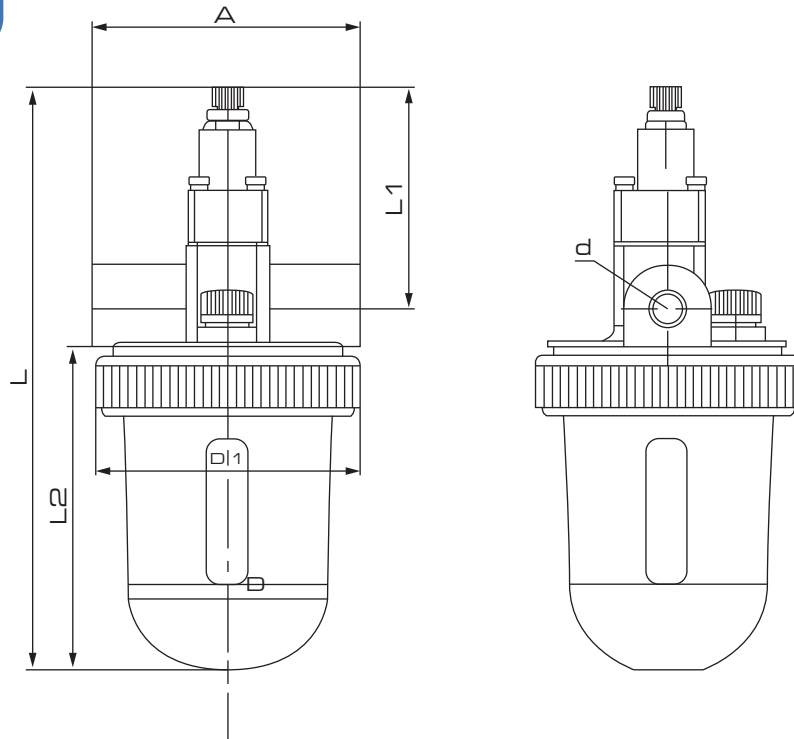
Model	QIU-40	QIU-50
Port Size	G1 1/2"	G2"
Working Media	Clean Air	
Max. Proof Pressure	15 Bar	
Max Working Pressure	8 Bar	
Working Temperature Range	5~60°C	
Suggested Lubricating Oil	1 (ISO VG32) Turbine No.1 Oil (ISO VG32)T	
Rated Flow	10.000 l/min	14.000 l/min
Material	Body Material	Aluminum Alloy
	Bowl Material	PC
	Shield Material	Steel

# QIU Series

Lubricator

## Overall Dimension

### QIU Series



## Dimensions

Model	Port Size	A	D	D1	d	L1	L2	L
QIU-40	G1 1/2	128	Ø92	Ø111	R31	100	141	280
QIU-50	G2	128	Ø92	Ø111	R36,7	100	141	280

# QTY Series

Regulator



## Ordering Code

QTY

40



Specification

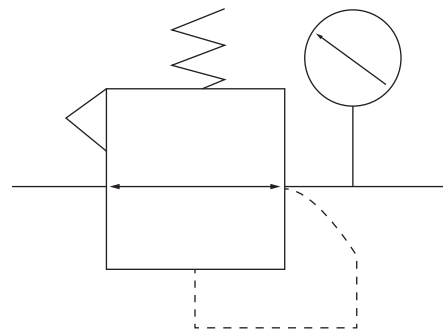
Port Size

QTY: Regulator

40 G1 1/2

50: G2

## Symbol



## Specification

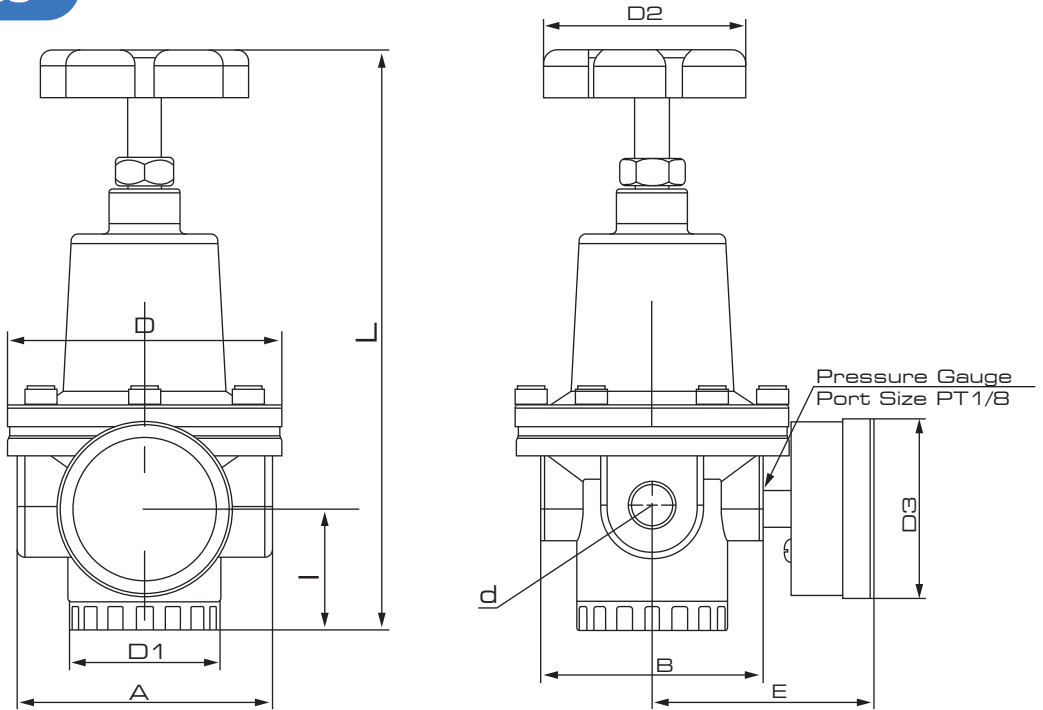
Model	QTY-40	QTY-50
Port Size	G1 1/2"	G2"
Working Media	Clean Air	
Proof Pressure	15 Bar	
Pressure Range	0.5 ~ 8 Bar	
Working Temperature Range	5~60°C	
Material	Aluminum Alloy	
Rated Flow	10.000 l/min	14.000 l/min

# QTY Series

Regulator

## Overall Dimension

### QTY Series



## Dimensions

Model	Port Size	A	B	D	D1	D2	D3	d	l	E	Lmax
QTY-40	G1 1/2	131	98	Ø117.5	Ø62	Ø98	Ø52	R30	58.5	84.5	264
QTY-50	G2	131	98	Ø117.5	Ø62	Ø98	Ø52	R35	58.5	84.5	264