



OW

*Air Filter Combination
(2 Combination)*

OW Series

Air Filter Combination (2 Combination)

AKME
SOLUÇÕES EM AUTOMAÇÃO



Ordering Code

OW



Standard

OW: 2 Combination

2000



Port Size

2000

4000

5000

02



Size

02: 1/4"

04: 1/2"

10: 1"

D



Drain Type

Blank: Hand

D: Automatic

Specification

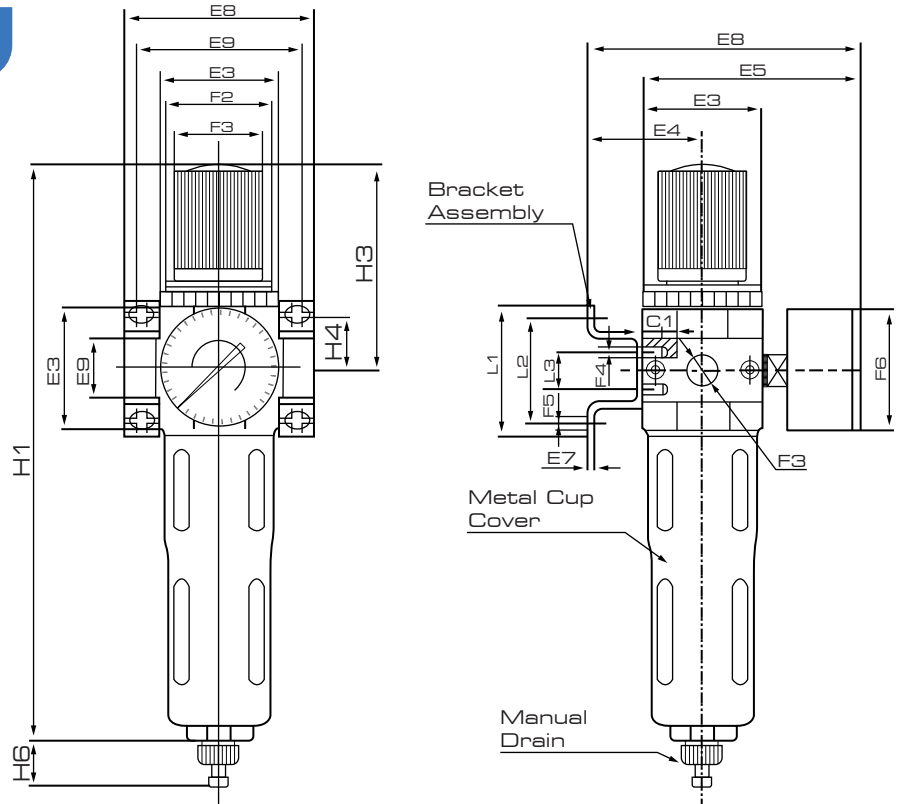
Model	OW2000-02	OW4000-04	OW5000-10
Rated Flow	1400 l/min	3400 l/min	10000 l/min
Port Size	1/4	1/2	1
Filter Precision	25 µm		
Max. Adjustable Pressure	12 Bar		
Proof Pressure Resistance	16 Bar		
Operating Temperature Range	5 ~ 60 °C		
Range of Adjustable Pressure	0.5 ~ 12 Bar		
Recommended Lubricant	ISO VG 32		
Container Material	Poly Carbonate		
Protective Cup Cover	Iron		
Drain Function	Differential Drain	Semi-automatic Drain, Automatic Drain	
Valve Type	With Overflow		

OW Series

Air Filter Combination (2 Combination)

Overall Dimension

OW Series



Dimension

Model	E3	E4	E5	E6	E8	E9	F1	F2
Mini								
OW2000-02	40	39	76	95	64	52	1/4"	M36x1.5
Midi								
OW4000-04	55	47	93	112	85	70	1/2"	M52x1.5
Maxi								
OW5000-10	66	53	104	124	116	91	1"	M52x1.5

Model	F3Ø	F4	F5Ø	F6Ø	L1	L2	L3	H1	H3	H4	H5	H6
Mini												
OW2000-02	31	M4	4.5	41	44	35	11	194	69	17.5	20	15
Midi												
OW4000-04	50	M5	5.5	52	73	60	22	250	98	24.5	32	15
Maxi												
OW5000-10	50	M5	5.5	53	73	60	22	272	80	24.5	32,40	15