



## KL523

*High Pressure &  
Temperature Solenoid Valve*

---

# KL523 Series

High Pressure & Temperature solenoid Valve

**AKME**  
SOLUÇÕES EM AUTOMAÇÃO



## Ordering Code

**KL523**

Specification

2/2 Way Solenoid Valve

**15**

Port Size

08: ZG1/4"

20: ZG3/4"

15: ZG1/2"

25: ZG1"

**AC220V**

Standard Voltage

DC12V

-

DC24V

-

AC24V

50Hz/60Hz

AC110V

50Hz/60Hz

AC220V

50Hz/60Hz

## Specification

Model	Orifice Size (mm)	Port Connection (G)	Pressure Difference (Bar)	Ambient Temp. (°C)	Medium Temp. (°C)	Kv Value (m <sup>3</sup> /h)	Power Consumption		Frequency (Hz)	Power Voltage
							AC(VA)	DC(W)		
KL5231008	13	ZG1/4"	3 ~ 50	-20~+55	0~+180	3.6	14	8	≥1	AC:50Hz 24V 110V, 220V DC: 24V, 12V
KL5231015		ZG1/2"								
KL5231020	25	ZG3/4"	3 ~ 35	11	≥0.5					
KL5231025		ZG1"								

# KL523 Series

High Pressure & Temperature solenoid Valve

## Feature

Media temperature up to 180°C

Operating pressure up to 50 Bar

Idea for fluid media with kinematic viscosity  $\leq 1\text{mm}^2/\text{s}$ ,  
including water, gases, acetylene, liquefied gas.

Coil: Encapsulation with thermoset plastic.

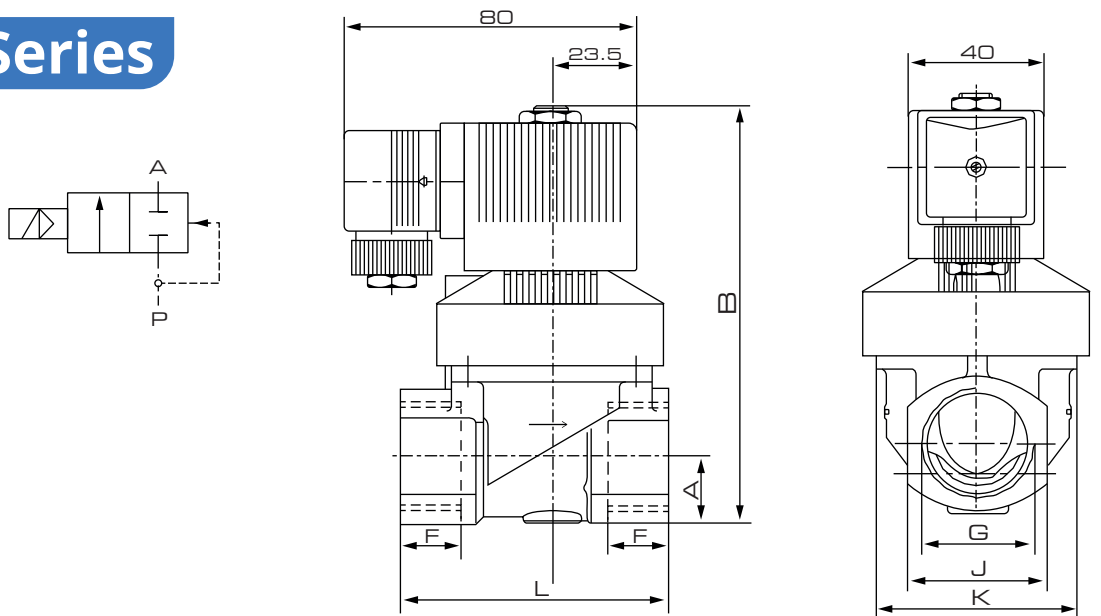
Electric connector with IP65

Ambient temperature: -20~55°C.

Piston type structure, smooth starting, high reliability.

## Overall Dimension

### KL523 Series



## Dimension sheet

Model	G	F	H	K	L	E	B	A
KL5231008	ZG1/4"	12	40	34	64	24	97	16
KL5231015	ZG1/2"							
KL5231020	ZG3/4"	16	40	60	92	45	124	20
KL5231025	ZG1"	18						