



## DAC

*Air Filter Combination  
(FR.L Combination)*

---



# DAC Series 1010~5010

Air Filter Combination (FR.L. Combination)

**AKME**  
SOLUÇÕES EM AUTOMAÇÃO



## Ordering Code

DA	C	4010	04	D
Series	Function	Specification	Port Size	Drain Type
DAC2010-02 	FR.L. Combination	1010	M5: M5 x 0.8	Blank: Semi-automatic
DAC5010-10 		2010	02: G1/4"	
		3010	03: G3/8"	D: Lever Auto Drain
		4010	04: G1/2"	
		5010	06: G3/4"	
			10: G1"	

## Specification

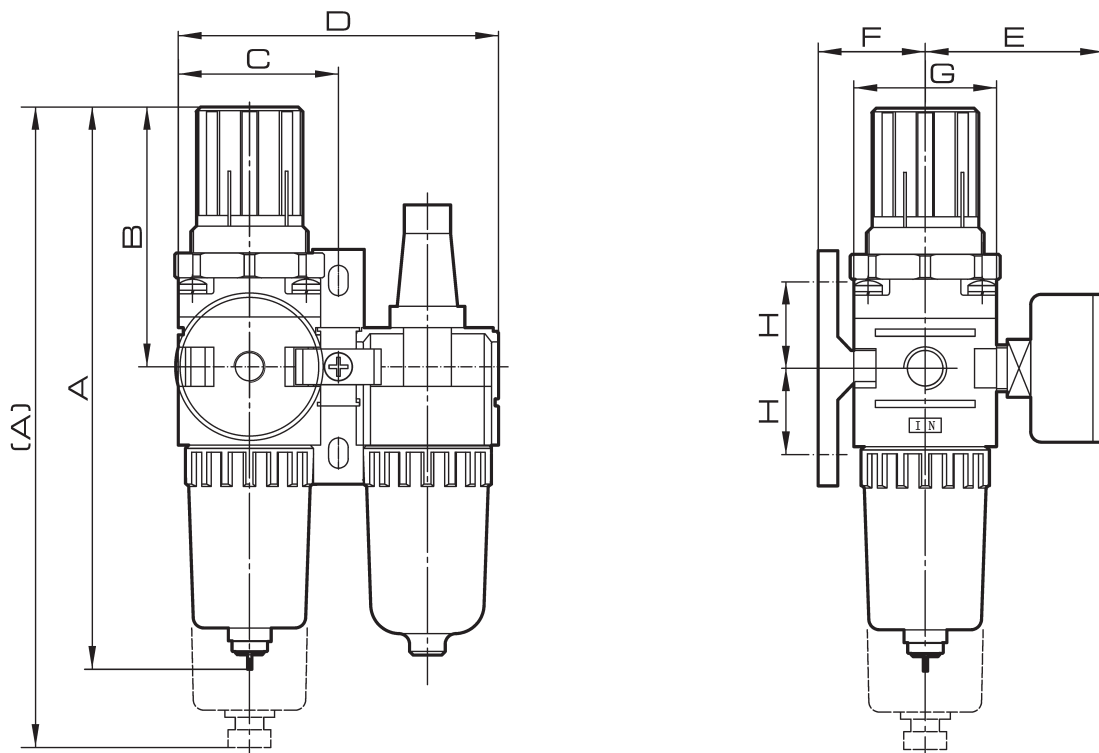
Model	DAC1010-M5	DAC2010-02	DAC3010-03	DAC4010-04	DAC4010-06	DAC5010-10	
Rated Flow (l/min)	90	500	1700	3000	3000	4000	
Port Size	M5	1/4	3/8	1/2	3/4	1	
Filter Precision	25 µm						
Max. Inlet Pressure	10 Bar						
Range of Adjustable Pressure	0 ~ 7 Bar	0 ~ 8 Bar					
Operating Temperature Range	5 ~ 60 °C						
Recommended Lubricant	ISO VG 32						
Container Material	Poly Carbonate						
Protective Cup Cover	Unavailable		Iron				
Drain Function	Differential Drain	Semi-automatic Drain, Automatic Drain					
Valve Type	With Overflow						
Assembly	Filter Regulator	DAW1000-M5	DAW2000-02	DAW3000-03	DAW4000-04	DAW4000-06	DAW5000-10
	Lubricator	DAL1000-M5	DAL2000-02	DAL3000-03	DAL4000-04	DAL4000-06	DAL5000-10

# DAC Series 1010~5010

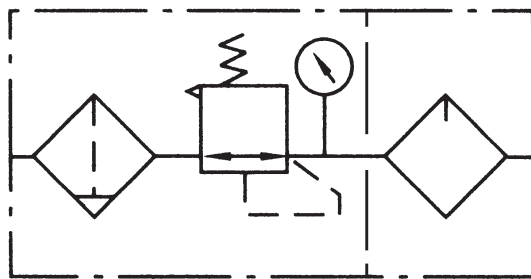
Air Filter Combination (FR.L. Combination)

## Overall Dimension

### DAC1010~DAC5010



## Symbol



## Dimension

Model	Bore	A	B	C	D	E	F	G	H
DAC1010-M5	M5	109.5	50.5	29	58	26	25	25	20
DAC2010-02	1/4	158 (180)	73	45	90	56.8	30	40	24
DAC3010-03	3/8	211	92.5	58.5	117	60.8	41	53	35
DAC4010-04	1/2	262	112	77	154	70.5	50	70	40
DAC4010-06	3/4	267	114	82	164	70.5	50	70	40
DAC5010-10	1	338	116	97.5	195	75.5	69.8	90	50