



4R

Hand Draw Valve

4R Series

Hand Draw Valve

AKME
SOLUÇÕES EM AUTOMAÇÃO



Ordering Code

4R

2

10

06

Specification

Series Code

Position Number

Port Size

4R: 5/2 Way Hand Draw Valve

100 Series

10: Single head double position

06: G1/8"

3R: 3/2 Way Hand Draw Valve

200 Series

300 Series

08: G1/4"

Specification

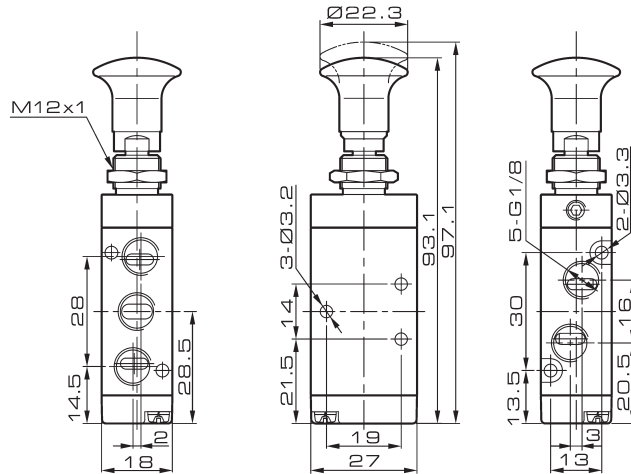
Model	4R110-06	3R110-06	4R210-06	4R210-08	3R210-06	3R210-08	4R310-08	3R310-08
Working Medium	40 Micron Filtered Air							
Port Size	Inlet, Outlet, Exhaust Port = G1/8"		Inlet, Outlet = G1/4" Exhaust Port = G1/8"		Inlet, Outlet, Exhaust Port = G1/8"	Inlet, Outlet, Exhaust Port = G1/4"	Inlet, Outlet, Exhaust Port = G1/4"	Inlet, Outlet, Exhaust Port = G1/4"
Rated Flow (l/min)	551	768	875	768	875	1378	1378	
Working Pressure	0 ~ 8 Bar							
Working Temperature	-20 ~ 70°C							

4R Series

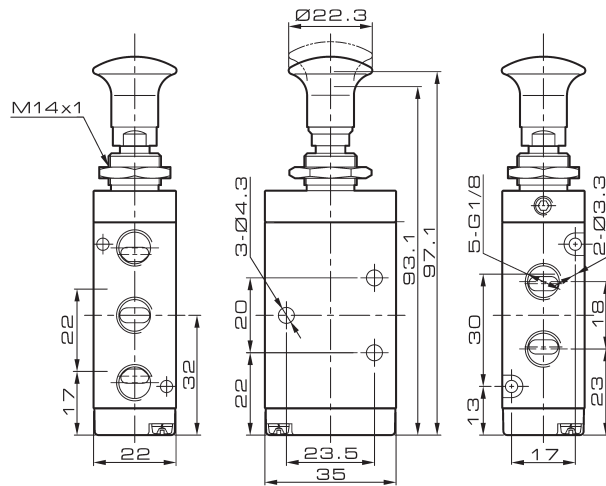
Hand Draw Valve

Overall Dimension

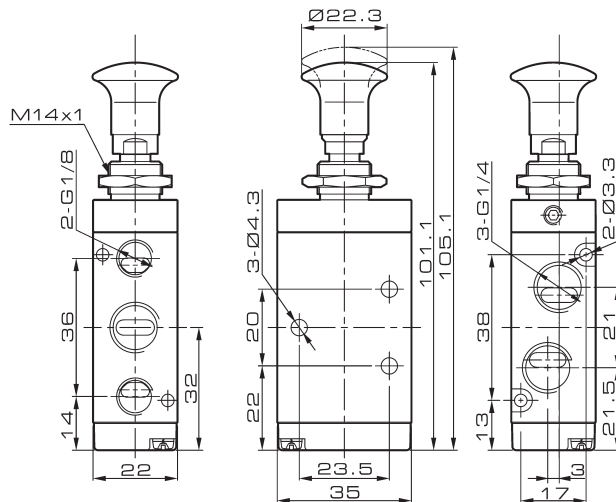
4R110-06



4R210-06



4R210-08

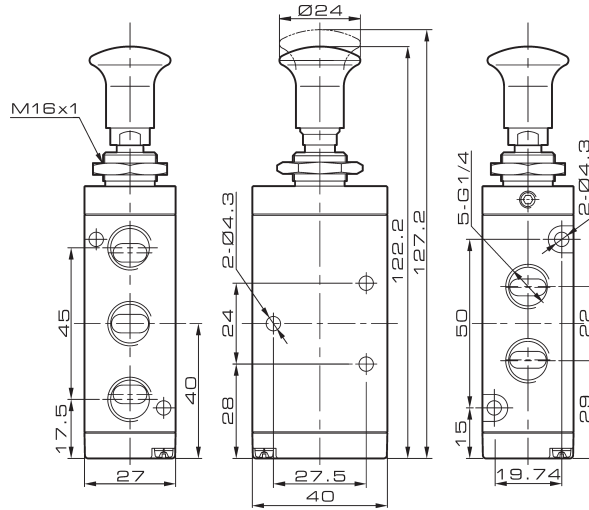


4R Series

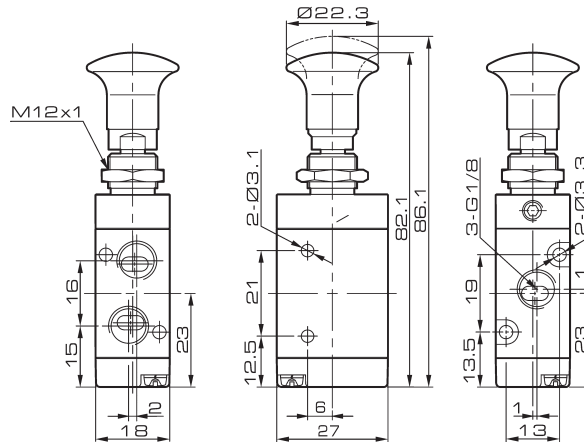
Hand Draw Valve

Overall Dimension

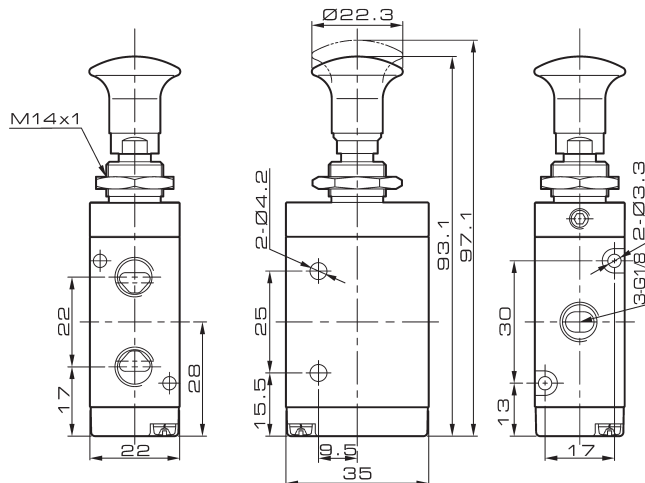
4R310-08



3R110-06



3R210-06

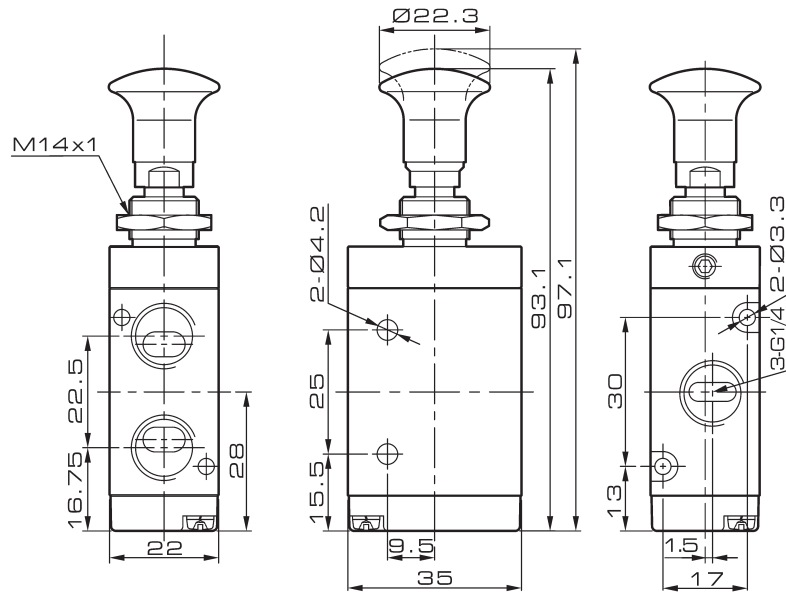


4R Series

Hand Draw Valve

Overall Dimension

3R210-08



3R310-08

